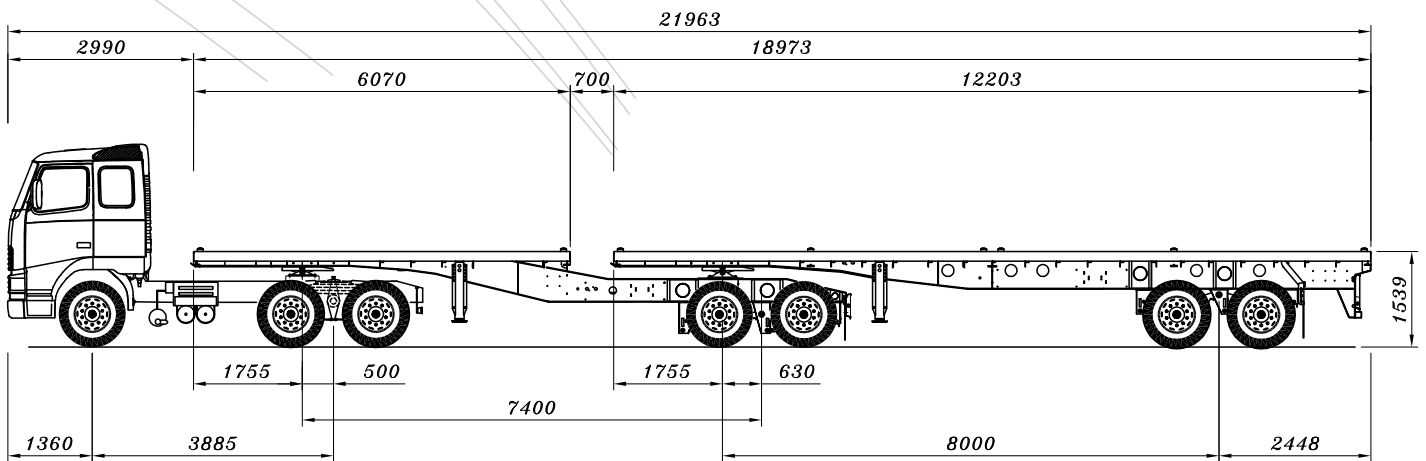




ENSURING YOUR BUSINESS IS WHERE IT SHOULD BE - ON THE ROAD

# AFRIT 6/12m Tandem/Tandem Axle Heavyweight Flatdeck Interlink Combination



TARE	PAYLOAD
<b>9 900kg</b>	<b>36 600kg</b>

## ADDITIONAL SPECIFICATIONS

- 12R22.5 / 315/80R22.5 DUAL WHEELS
- 9.0 X 22.5 STEEL RIMS
- AO LEAFSPRING SUSPENSION
- CONTAINER LOCKS WITH CENTREMOUNT
- STAKE POCKETS
- STAKE CARRIERS
- HUBODOMETER
- SPARE WHEEL CARRIER