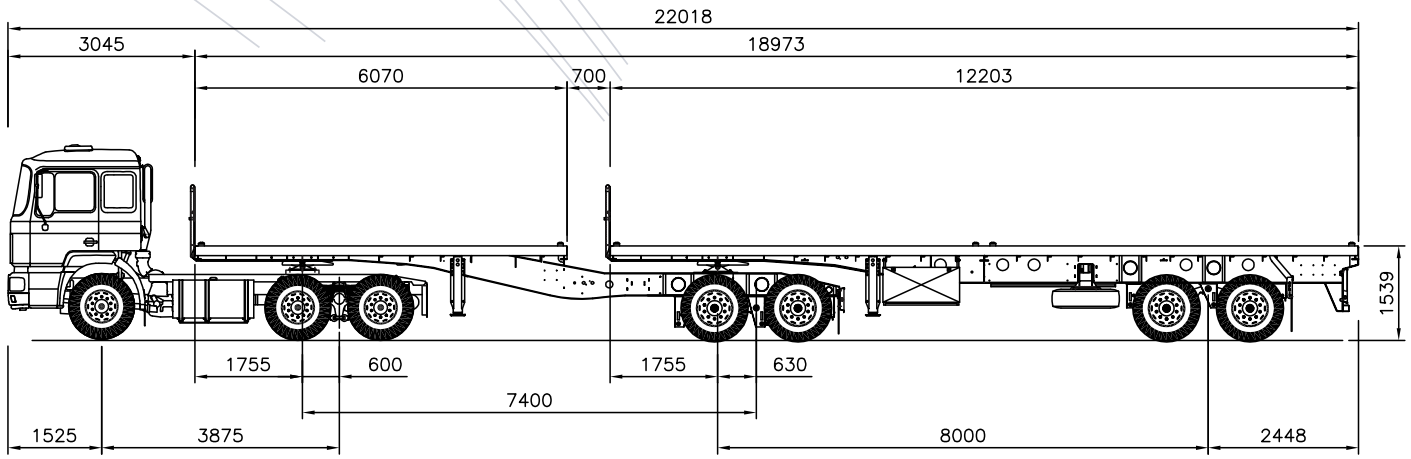




ENSURING YOUR BUSINESS IS WHERE IT SHOULD BE - ON THE ROAD

AFRIT 6/12m Tandem/Tandem Axle Flatdeck Interlink Combination



TARE	PAYLOAD
9 200kg	37 300kg

ADDITIONAL SPECIFICATIONS

- 12R22.5 / 315/80R22.5 DUAL WHEELS
- 9.00 x 22.5 STEEL RIMS
- AO LEAFSPRING SUSPENSION
- CONTAINER LOCKS
- LOAD LOCKS
- SPARE WHEEL CARRIER
- TARPAULIN BOX