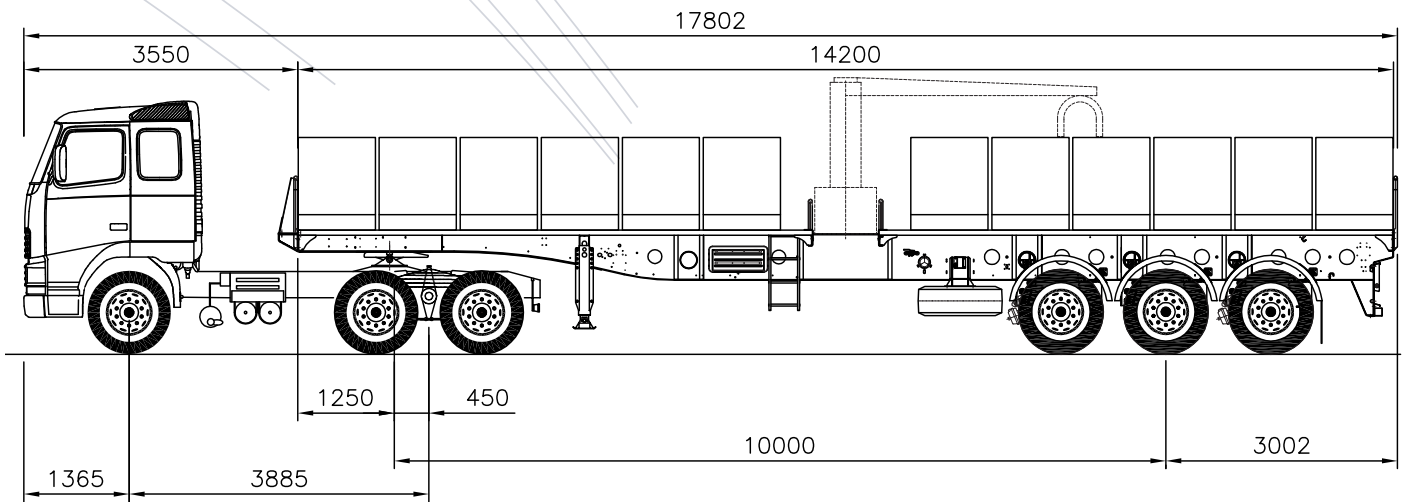




ENSURING YOUR BUSINESS IS WHERE IT SHOULD BE - ON THE ROAD

AFRIT Tridem Axle Flatdeck Semi-Trailer with Aluminium Floor For Fixed Crane



TARE	PAYLOAD
TRAILER + CRANE 5 280kg + 2 500kg	32 220kg

ADDITIONAL SPECIFICATIONS

- 385/65 R22.5 SUPER SINGLE TYRES
- 11.75 X 22.5 ALUMINIUM WHEEL RIMS
- AIR SUSPENSION
- MANUAL LIFT AXLES
- POLYETHYLENE TOOLBOX
- SPARE WHEEL CARRIER
- MUD GUARDS